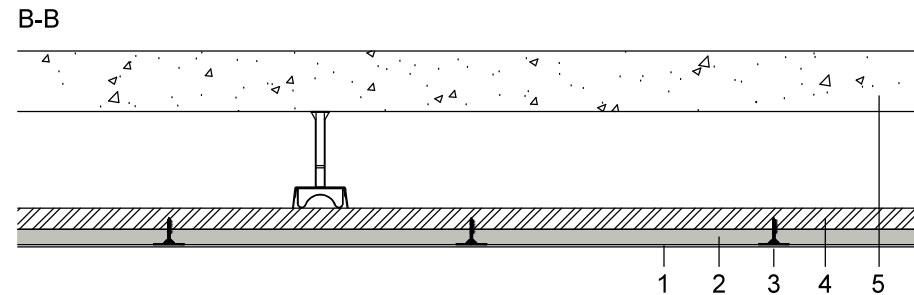
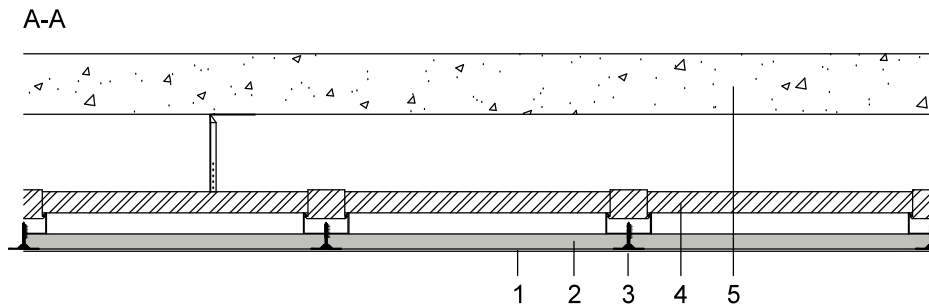
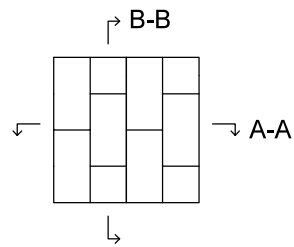


TYPE E - Suspended installation, "direct to grid"

1. fade® acoustic plaster
2. Acoustic board
3. Special steel washer
4. Suspended grid system
5. Existing ceiling



INFORMATION ABOUT THIS DRAWING

We kindly remind you that this is a general guide on how the system is set up and specific technical advise is recommended before proceeding with any transaction. Full technical information available from your local fade® approved installer or from fade® Acoustic Ceilings EUROPE. Please note the fade® acoustic plaster system can only be installed by fade® approved installers.

DATE

10 - 2017

DRAWING NAME

fade®Acoustic_E.g.20-2

CONTACT INFORMATION

Kasper Ehlert
info@fadeceilings.com

fade®